

Specification

Product ID

BOL / 0012

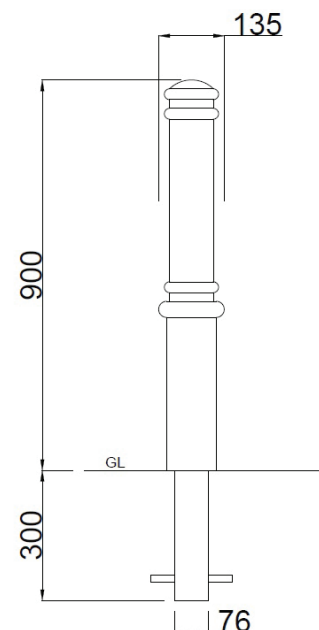
Description

Chester Performa-Cast™ Polymer Bollard - Below Ground Fix - Painted in A Standard Range Colour

Dimensions

If dimensions are critical please contact sales to confirm

Brand:	Chester
Category:	Bollards
Sub Category:	Below Ground
Material:	Performa-Cast™ Polymer
Max Dia:	135mm
Above Ground:	900mm
Below Ground:	300mm
Overall Height:	1200mm
Weight:	15Kg
Units:	Each



Policy

Townscape's policy is one of continuous development, and we reserve the right to modify design specification or price without notice. The copyright, design rights and other intellectual property rights in the products and drawings shown and in the text displayed are the property of Townscape Products Limited.

All sizes and weights are nominal and the Company reserves the right to modify dimensions without notice. If dimensions or weights are critical please state when ordering.