

Specification

Product ID BAR / 0022

Description

Fleetwood Octagonal Performa-cast Polymer Post with Galvanised Steel Core (Part of the Fleetwood Post and Rail System) – Below Ground Fix – Painted in a Standard Range Colour. This post is two level and is designed to accommodate two lengths of rail.

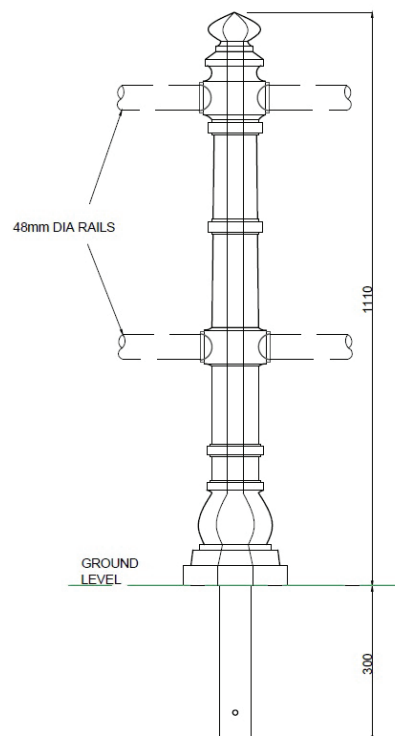
Please note that end, intermediate and corner posts are all the same price. Please confirm the quantity of each type at the point of order

This Product ID refers to the Post only. Please separately specify, using the appropriate Product ID, the number of rails required.

Dimensions

If dimensions are critical please contact sales to confirm

Brand:	Fleetwood
Category:	Barriers and Rails
Sub Category:	Below Ground
Material:	Performa-cast™ Polymer
Max Dia:	200mm
Above Ground:	1110mm
Below Ground:	300mm
Overall Height:	1410mm
Units:	Each



Policy

Townscape's policy is one of continuous development, and we reserve the right to modify design specification or price without notice. The copyright, design rights and other intellectual property rights in the products and drawings shown and in the text displayed are the property of Townscape Products Limited.

All sizes and weights are nominal and the Company reserves the right to modify dimensions without notice. If dimensions or weights are critical please state when ordering.