

# Specification

## Product ID

CYE / 0008

### Description

Merton Stainless Steel (Grade 304) Cycle Stand with Tapping Rail (Cross Bar) - 750mm Wide x 750mm High (Above Ground)

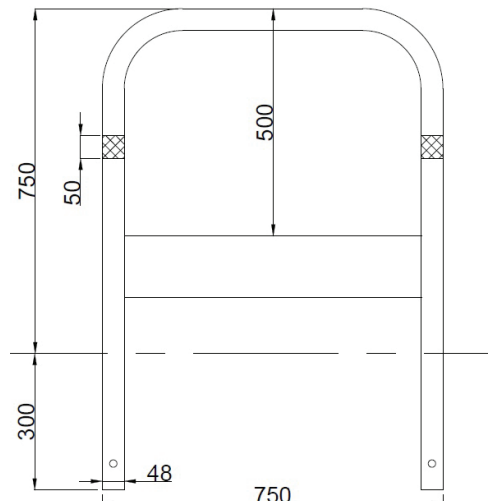
Fitting: Below Ground (300mm)

Complete with 2 Black High Visibility Bands on each leg.  
 Including 4 signs (2 Letter P's and 2 Cycle Stands)

### Dimensions

If dimensions are critical please contact sales to confirm

<b>Brand:</b>	Merton
<b>Category:</b>	Cycle Elements
<b>Sub Category:</b>	Cycle Stand
<b>Material:</b>	Stainless Steel
<b>Max Dia:</b>	48mm
<b>Max Width:</b>	750mm
<b>Above Ground:</b>	750mm
<b>Below Ground:</b>	300mm
<b>Overall Height:</b>	1050mm
<b>Units:</b>	Each



### Policy

Townscape's policy is one of continuous development, and we reserve the right to modify design specification or price without notice. The copyright, design rights and other intellectual property rights in the products and drawings shown and in the text displayed are the property of Townscape Products Limited.

All sizes and weights are nominal and the Company reserves the right to modify dimensions without notice. If dimensions or weights are critical please state when ordering.