

Specification

Product ID
 CYE / 0017

Description

TFL Performa-Cast™ Polymer Cycle Stand with Profiled Information Plaque - Painted in Black (RAL 9004) with 3 Recessed Class 2 Reflective Yellow Bands - 735mm Wide x 750mm High (Above Ground)
 Fitting: Below Ground (300mm)

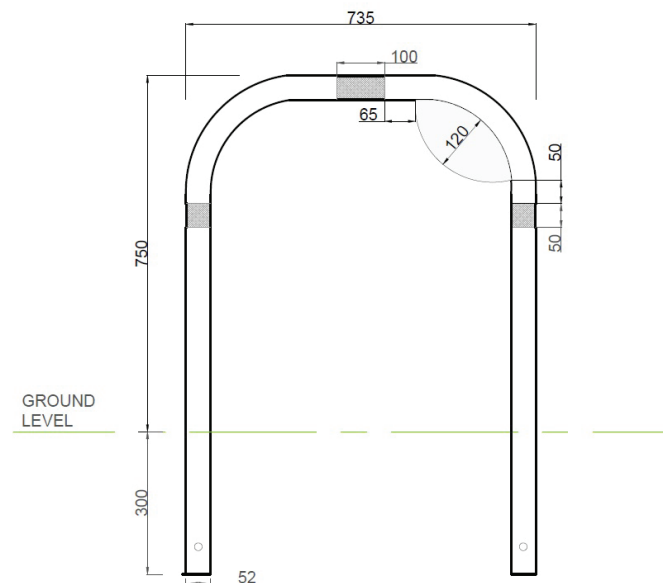
Alternative Colour Class 2 Reflective Bands can be supplied if required. If this is required please confirm at the point of ordering

Signage for the Information Plaque can be supplied if required at an additional cost

Dimensions

If dimensions are critical please contact sales to confirm

Brand:	TFL
Category:	Cycle Elements
Sub Category:	Cycle Stand
Material:	Performa-Cast Polymer
Max Dia:	52mm
Max Width:	735mm
Above Ground:	750mm
Below Ground:	300mm
Overall Height:	1050mm
Units:	Each



Policy

Townscape's policy is one of continuous development, and we reserve the right to modify design specification or price without notice. The copyright, design rights and other intellectual property rights in the products and drawings shown and in the text displayed are the property of Townscape Products Limited.

All sizes and weights are nominal and the Company reserves the right to modify dimensions without notice. If dimensions or weights are critical please state when ordering.