

# Specification

**Product ID**  
CYE / 0086

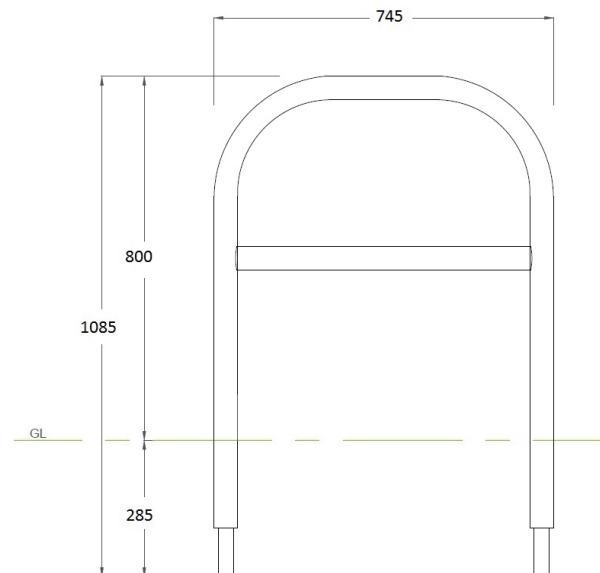
## Description

Hammersmith Performa-Cast™ Polymer Cycle Stand Painted in a Standard Range Colour, with Tapping Rail.  
Fitting: Below Ground (285mm)

## Dimensions

If dimensions are critical please contact sales to confirm

<b>Brand:</b>	Hammersmith
<b>Category:</b>	Cycle Elements
<b>Sub Category:</b>	Cycle Stand
<b>Material:</b>	Performa-Cast Polymer
<b>Max Width:</b>	745mm
<b>Above Ground:</b>	800mm
<b>Below Ground:</b>	285mm
<b>Overall Height:</b>	1085mm
<b>Units:</b>	Each



## Policy

Townscape's policy is one of continuous development, and we reserve the right to modify design specification or price without notice. The copyright, design rights and other intellectual property rights in the products and drawings shown and in the text displayed are the property of Townscape Products Limited.

All sizes and weights are nominal and the Company reserves the right to modify dimensions without notice. If dimensions or weights are critical please state when ordering.