



TOWNSCAPE

Specification

Product ID
TRK/0001

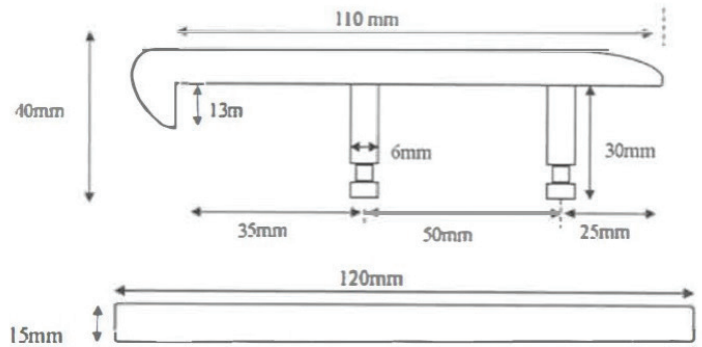
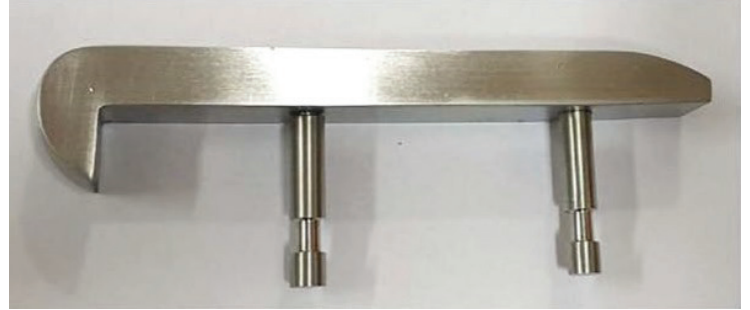
Description

Anti-Skate Slim Finger deterrent. Stainless Steel Grade 316
Satin Finish Anti-Skate Finger.
Suitable for fitting to any of the Townscape HVM Blocks,
Planters and Seats.

Dimensions

If dimensions are critical please contact sales to confirm

Brand: Anti-Skate Finger
Material: Stainless Steel
Max Length: 110mm
Max Width: 15mm
Units: Each



Policy

Townscape's policy is one of continuous development, and we reserve the right to modify design specification or price without notice. The copyright, design rights and other intellectual property rights in the products and drawings shown and in the text displayed are the property of Townscape Products Limited. All sizes and weights are nominal and the Company reserves the right to modify dimensions without notice. If dimensions or weights are critical please state when ordering.



Townscape Products Limited, Fulwood Road South, Sutton-in-Ashfield, Nottinghamshire NG17 2JZ

Telephone: +44 (0)1623 513 355 Fax: +44 (0)1623 440 267

Email: sales@townscape-products.co.uk www.townscapeproducts.co.uk

© 2014 Townscape Products Limited E & O.E.