

Product ID **VED / 0044 PLT**

CT PLANTER

Description

Counter Terror Block Planter with 15mm Chamfered Edges. Finished in a range of Artisan Premier Precast Concrete.

This product is PAS 68:2010 tested to the following classifications:

30mph test – single block: V/7500/N2/48/90/6.6/0.0
40mph test – single block: V/7500/N2/64/90/12.3/2.2
 (Tested block size 1490 x 990 x 600mm minimum mass)
 And PAS 68:2005 tested to the following classification:
30mph test comprising 3 staggered blocks: V/7500/N2/48/60/2.0/0.0

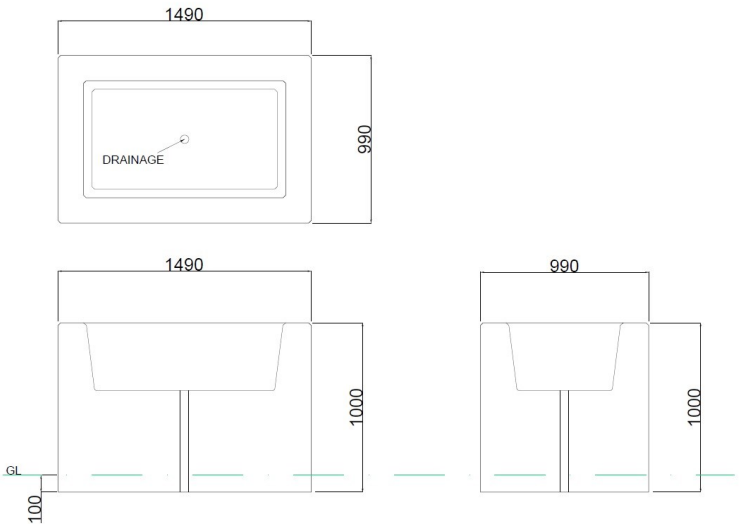
This product is available in a range of Premier smooth and exposed concrete finishes.

Specialist installation advice is available for this product



Dimensions

If dimensions are critical please contact sales to confirm.



Range	Vehicle Defence
Installation	100mm in Ground
Materials	Artisan Precast Concrete
Dimensions W x D x H	1490 x 990 x 1000mm
Height above Ground	900mm
Unit Weight	2700kg

Finishes	Premier Range	Finishes	Exposed Range
	Grey		Cloburn Red
	Dark Grey		Cleehill Dark Grey
	White		Silver Aberdeen
	Buff		Silver Grey Cornish
	Light Sandstone	Optional <i>Bespoke Finishes</i>	
	Dark Sandstone		

Optional *Bespoke Finishes*

Please contact the Sales Office for Sample finishes



OPTIONS	Process
Mild Steel	Cladding
Patterned Mild steel	Cladding
Corten	Cladding
Timber	Cladding
Integrated Timber	Seating
Sealant	Coating
Anti Graffiti	Coating

Policy

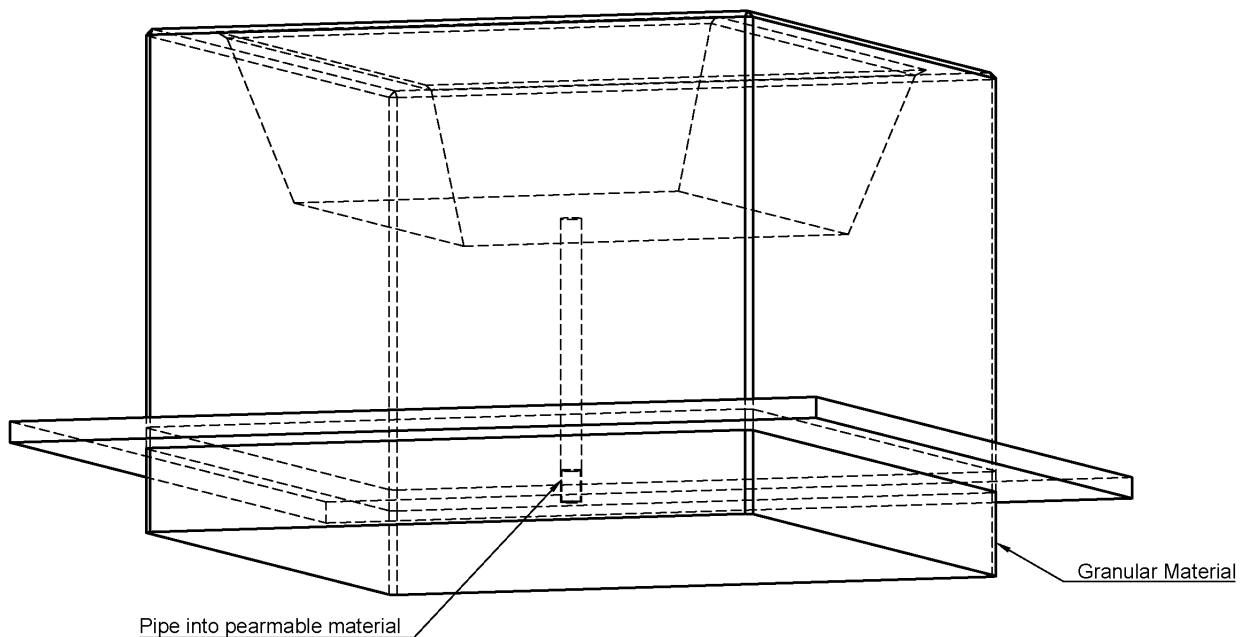
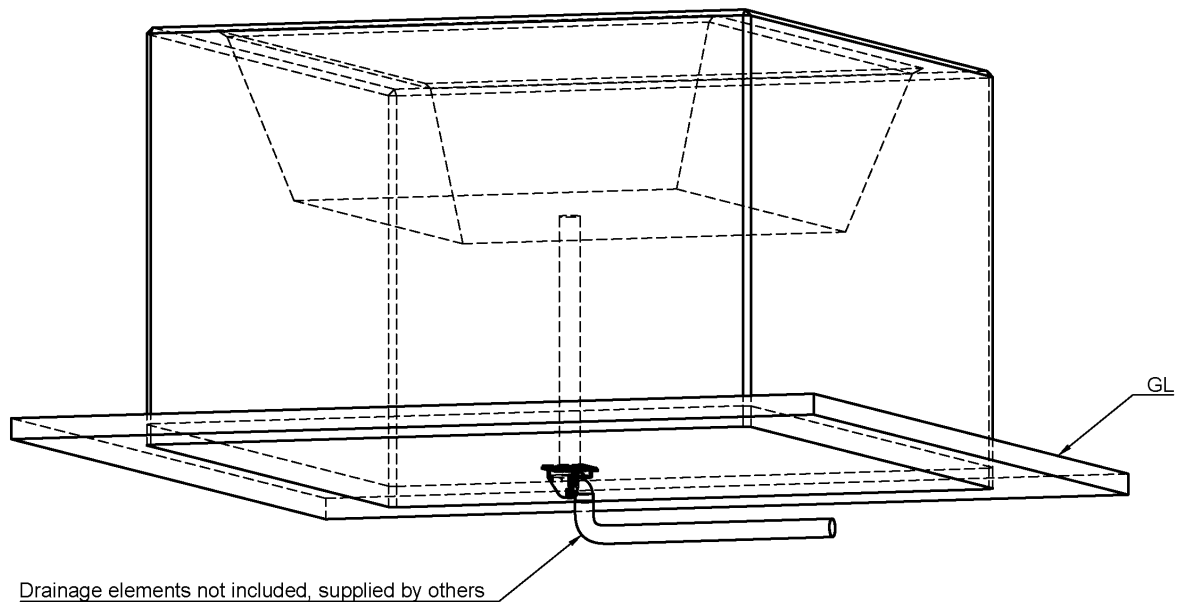
Townscape's policy is one of continuous development, and we reserve the right to modify design specification or price without notice. The copyright, design rights and other intellectual property rights in the products and drawings shown and in the text displayed are the property of Townscape Products Limited.

All sizes and weights are nominal and the Company reserves the right to modify dimensions without notice. If dimensions or weights are critical please state when ordering.

Product ID **VED / 0044PLT**

CT PLANTER

Water needs to be allowed to drain away to prevent the planter from being filled. Townscape CT Concrete Planters are manufactured with a 50mm diameter drainage hole to help with this process. To ensure the water has somewhere to go a gully pot or equivalent can be installed to collect and transport the water away. Alternatively having 200mm of granular material (or whatever depth is required to reach permeable ground) underneath the planter and a pipe to ensure the water reaches this material would be sufficient to allow an escape route.



For more information about any aspect of this product please call the Townscape Sales Office on +44 (0) 1623 513355