

CT STREET FURNITURE

Specification

Product ID
 VED / 0033 40USM

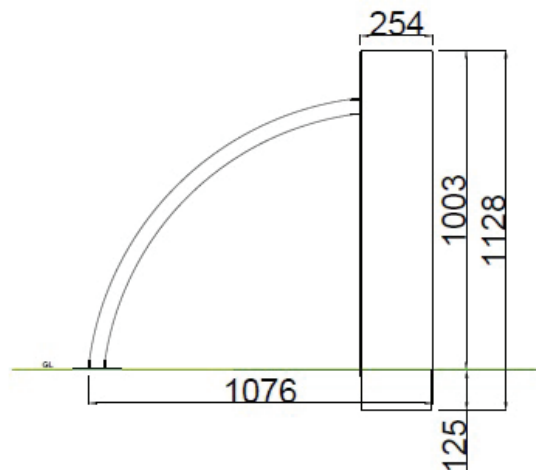
Description
 Wessex PAS 68 CT40 Ultra Shallow Mount Stainless Steel (Grade 316) Cycle Stand - Utilises a CT 40 Ultra Shallow Mount PAS 68 Bollard.

This product is PAS68:2010 approved to the following classifications:
40mph Test - Fixed Bollard: V/7500[N2]/64/90:4.7/9.2

Installation
 For advice about installation of this product, please contact our sales office

Dimensions
 If dimensions are critical please contact sales to confirm

Brand: Wessex
Category: Vehicle Defence
Sub Category: Cycle Stand
Material: Stainless Steel
Max Width: 1076mm
Above Ground: 1003mm
Below Ground: 125mm
Units: Each



Policy
 Townscape's policy is one of continuous development, and we reserve the right to modify design specification or price without notice. The copyright, design rights and other intellectual property rights in the products and drawings shown and in the text displayed are the property of Townscape Products Limited.

All sizes and weights are nominal and the Company reserves the right to modify dimensions without notice.
 If dimensions or weights are critical please state when ordering.

