



TOWNSCAPE

www.townscapeproducts.co.uk
+44(01623) 513355

USER MANUAL

INTELLI LUMINAIRE Solar Bollard Light

THANK YOU FOR YOUR PURCHASE
PLEASE READ THESE INSTRUCTIONS CAREFULLY PRIOR TO INSTALLATION / MAINTENANCE

SPECIFICATIONS

Wattage: 2W
Lamp: In-built Epistar LED Chips 10 *18 mil (120° Beam Angle)
Colour Temperature: 6000K (Daylight White) / 3000K (Warm White)
Lumen Output: 220 - 240 lm
LED Life Expectancy: up to 50,000 hours
Sensor: Light / Charge Sensor
IP Rating: IP65
IK Rating: IK10 – MAIN BODY (polycarbonate lens IK07, solar panel IK06)
Battery Type: Lithium - LiFePO4 6.4v/5000mAh (replaceable)
Battery Charge Time: 6-8 hrs full sunshine (approx.)
Max Illumination Time at Full Charge: Up to 23hrs
Solar Panel: 9v / 3.5W Monocrystalline Solar Panel – Grade A
Materials: 6063 Die Cast Aluminium & High Impact Polycarbonate
Weight: 5.1KG (approx.)
Mounting: External Surface Mount
Lighting Function: 1hr 100% + 2hrs 80% + 2hrs 50% + 9hrs 30%
Working Temperature: -25°C ~ 55°C
Included: Bollard, Rubber Bung, Instructions
UK REGISTERED DESIGN: 6074586



✓✓✓✓
5 YEAR
GUARANTEE
see website for
more details



WARNINGS



- If a fitting is found to be damaged, cease use immediately.
- The unit may get warm whilst on for a period of time.
- Always take care when installing your solar light.
- Fitting must be mounted to a solid surface or using relevant anchor bolts / J-Bolts
- This Solar Light will not charge correctly if the panel is behind glass or artificial light is used.
- Ensure the waterproof bung is in place at all times, other than when turning the unit on.
- Due to temperature difference in and outside the fitting, condensation may be present internally but will not affect use.

CLEANING & MAINTENANCE:

Occasional cleaning and care is recommended for this product. Wipe with a soft, slightly damp cloth to remove any surface dirt. To maintain efficiency, specifically clean the solar panel and polycarbonate lens on a regular basis. Also, keep the solar panel free of debris and snow to prevent reduced battery life or malfunction. Do not use abrasive cleaners or a lot of water as this could damage the fitting. Please refer to our website for more information on the best way to clean different materials.

Producer Registration Number: WEE/KC3440XY / BPRN0843

GUARDA TECHNOLOGY:

The Intelli Luminare is a highly efficient solar light with high capacity LiFePO4 Lithium batteries and a fast charging Monocrystalline solar panel. This means that even on partially cloudy and rainy days, it will re-charge efficiently. The high battery capacity gives enough power for up to 23 hrs solid light (approx. 2-3 night) even when there is little light during the day. The high lumen light output is bright enough to illuminate drives and paths, making them safe to navigate at night, with a high impact vandal resistant design (≤IK10).

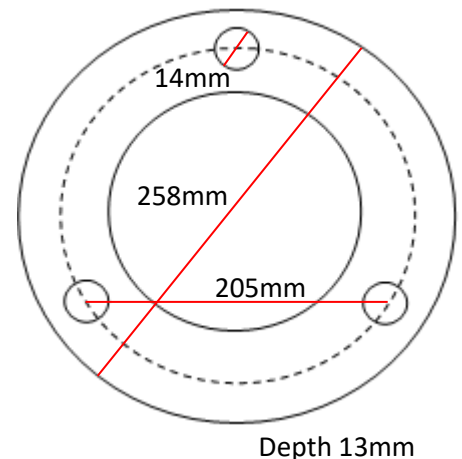
INSTALLATION:

The Bollard is designed to be surface mounted onto a concrete base via the external surface mount.

Recommended spacing is 3m apart for substantial path lighting. Closer spacing / staggering will result in a more intense light.

Location – It is important that the installation location is carefully considered, avoiding shady areas. Ensure there is no other lights which could interfere with the light, imitating daylight and forcing the light off.

1. To surface mount, use the base to mark the 3 x mounting holes on the mounting surface in the correct position.
2. Remove the bollard and drill out the 3 holes marked at the relevant size for the type of screws / bolts to be used (anchor bolts / coach bolts recommended)
3. Replace the bollard body, lining up the 3 x holes at the base.
4. Secure in place with screws / bolts.
5. For root mounting, use J-Bolts, set in concrete (sold separately).



NOTE: Bolt head diameter must be at least 16MM or washers used – ensure long enough to clear 13mm depth of base + a secure depth in ground.

SETTINGS:

The Intelli Luminaire Bollard has a pre-set time controlled setting which cannot be changed. At dusk, the bollard will illuminate at full brightness, and then follow a gradual dimming sequence until it reaches 30% brightness after 5 hours. From then on it will remain at 30% until dawn. This sequence is to ensure maximum charge is retained.

IMPORTANT – SOLAR BOLLARD MUST BE TURNED ON AT ALL TIMES AFTER INSTALLATION

If the bollard is left in the off position, you may be prompted to turn the fitting on by strobing. Solar bollard will only charge when in the ON position.

Turning on the bollard

- 1) Remove the waterproof rubber bung located just below the polycarbonate lens, in line with the Lumina Logo, to locate the red on/off button.
- 2) Using a small, flathead screwdriver (or similar), push the on button inwards until it clicks and allow to pop back out (this will be partial). The bollard is now in the ON position.
- 3) Replace the waterproof, rubber bung.

NOTE: There will be a 2-5 second delay between turning the solar light on, and the bollard illuminating. In daylight, the light will turn back off within a few seconds, in darkness it will remain on and follow the time controlled cycle.

STORAGE:

When storing the bollard, be sure to turn the bollard to the off position by following the above steps (check by covering and uncovering the solar panel). Once pressed, the on/off button will release fully forward. Maximum 6 months storage when fully charged – recharge will be required periodically to prevent damage to battery over long periods of time.

Townscape Products Ltd. Fulwood Road South, Sutton-in-Ashfield. Notts.NH17 2JZ

Sales@townscape-products.co.uk Te. (0)1623 513355 Opt 1.