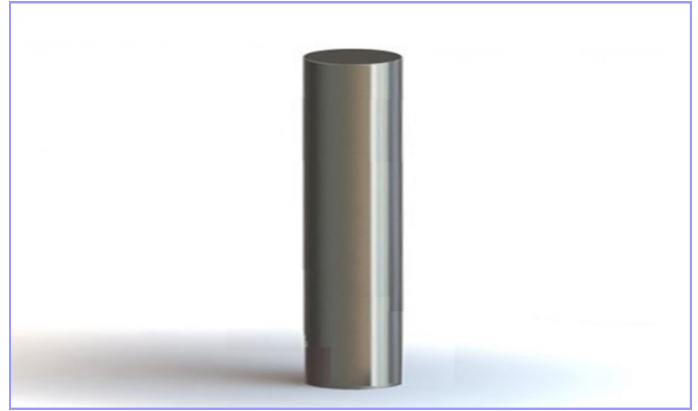


## Product ID **VED/0015SM PAS 68 CT50SM BOLLARD**


### Description

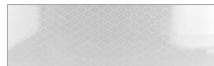

CT50SM N2A/02 Mild Steel CT Bollard – 273mm – 200mm Shallow fit , 3 Bollard Array Galvanised Finish. The CT50SM N2A/02 is a high security bollard designed to mitigate a vehicle attack at 80kph. The bollard has been successfully tested and approved by the CPNI. The normal spacing for bollards will be 1200mm. A reinforced foundation design will be required for this product. The product is IWA 14 approved to the following classifications: **50mph Test – Fixed Bollard: IWA 14 V/7200/80/90:8.7** Additional cost sleeve options are available if required. These include Stainless Steel or Perfor-ma-cast Polymer (Standard or Bespoke Designs) Sleeves.

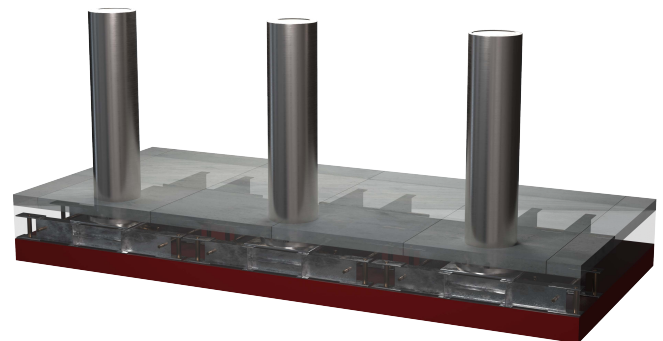
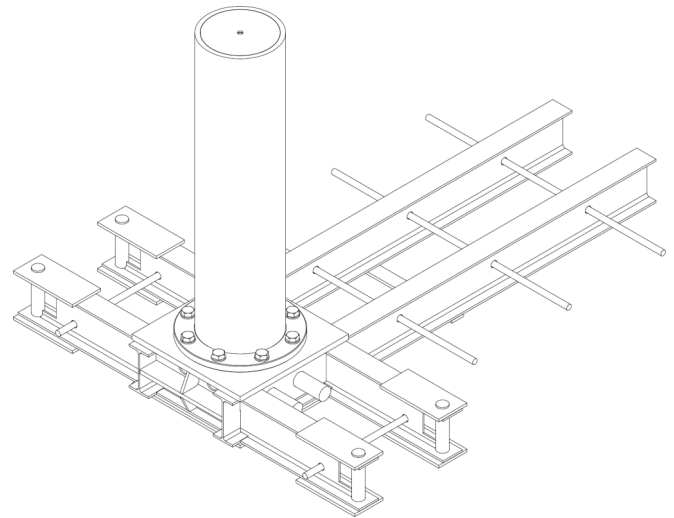


Specialist installation advice is available for this product.

<b>Range</b>	CT Bollards
<b>Installation</b>	230mm depth
<b>Materials</b>	Specialist Grade Steel
<b>Dimensions W x D x H</b>	273mm Dia x 1230mm
<b>Height above Ground</b>	1000mm
<b>Unit Weight</b>	400kg

Finish	Description
	Galvanised Steel

OPTIONS	Description	Part Code
	Class 1 Reflective WHITE Tape Band 50mm	TAP/50W
	Class 1 Reflective YELLOW Tape Band 50mm	TAP/50Y
Stainless steel Sleeve	Premium 2k Finish Grade 316	VED/0043
Polymer Sleeve Gunwharf	Engineering Grade Polymer Sleeve	VED/0004
Polymer Sleeve Senator	Engineering Grade Polymer Sleeve with Reflective Tape	VED/0024
Polymer Sleeve Statesman	Engineering Grade Polymer Sleeve with Reflective Tape	VED/0026
Powder Coated Finish	Powder Coated Finish to RAL Choice	VED/0015PC



**For additional Options and detailed installation advice please call our sales office on 01623 513355**

### Policy

Townscape's policy is one of continuous development, and we reserve the right to modify design specification or price without notice. The copyright, design rights and other intellectual property rights in the products and drawings shown and in the text displayed are the property of Townscape Products Limited.

All sizes and weights are nominal and the Company reserves the right to modify dimensions without notice. If dimensions or weights are critical please state when ordering.

