

## Product ID **BOL/0293**

## **BRUTE**

### Description

Precast Concrete Brute Bollard. Height Above ground 570mm  
Finished in range of Artisan concrete finishes. Maximum Diameter 350mm Minimum Concrete Grade C40. Manufactured from carefully selected U.K sourced aggregates.

**\*\* Note: Care should be taken when handling this product due to its weight. \*\***

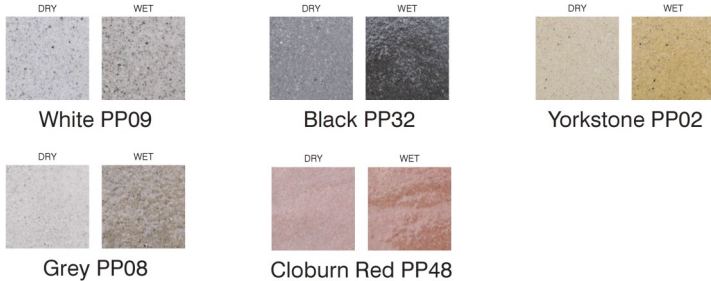
### Installation

Bollard should be fitted into a concrete foundation (C35 strength) 150mm larger than the diameter of the bollard. The minimum foundation size should be 300 x 300 x 300mm.

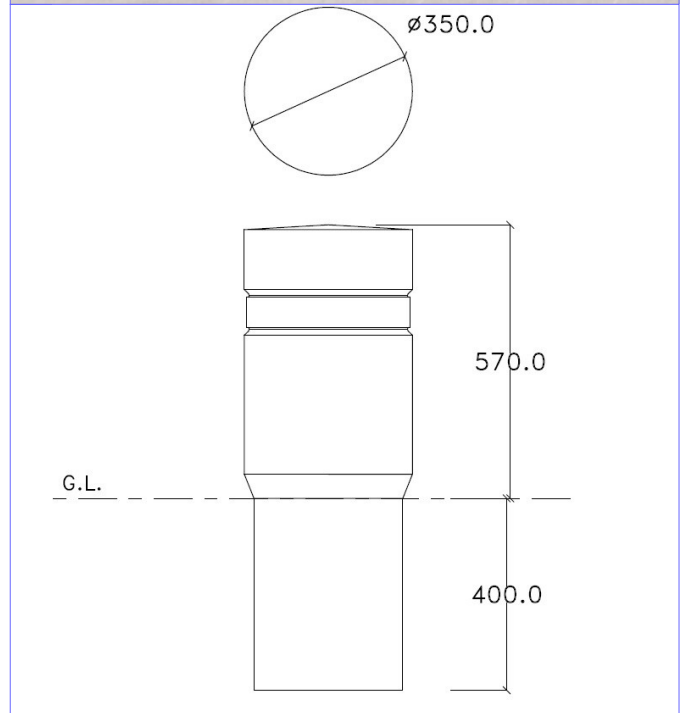


<b>Range</b>	Bollards
<b>Installation</b>	400mm Depth
<b>Materials</b>	Supreme Grade Artisan Precast Concrete
<b>Dimensions W x D x H</b>	350mm Dia x 970mm Overall Height
<b>Height above Ground</b>	570mm
<b>Unit Weight</b>	135kg

### Smooth Prestige Mixes:



### Exposed Natural Aggregate Mixes:



### Policy

Townscape's policy is one of continuous development, and we reserve the right to modify design specification or price without notice. The copyright, design rights and other intellectual property rights in the products and drawings shown and in the text displayed are the property of Townscape Products Limited.

All sizes and weights are nominal and the Company reserves the right to modify dimensions without notice. If dimensions or weights are critical please state when ordering.

